

zonder voetstuk
 (op maat gemaakt door eindgebruiker)
 without base
 (custom-made by end-user)

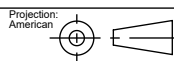
* = optional air inlet Ø125mm
 ** = height EXCL optional air inlet
 *** = height INCL optional air inlet
 **** = optional heat shield

barbas

Barbas Bellfires B.V.
 Hallenstraat 17
 5531 AB Bladel
 The Netherlands
 www.barbasbellfires.com

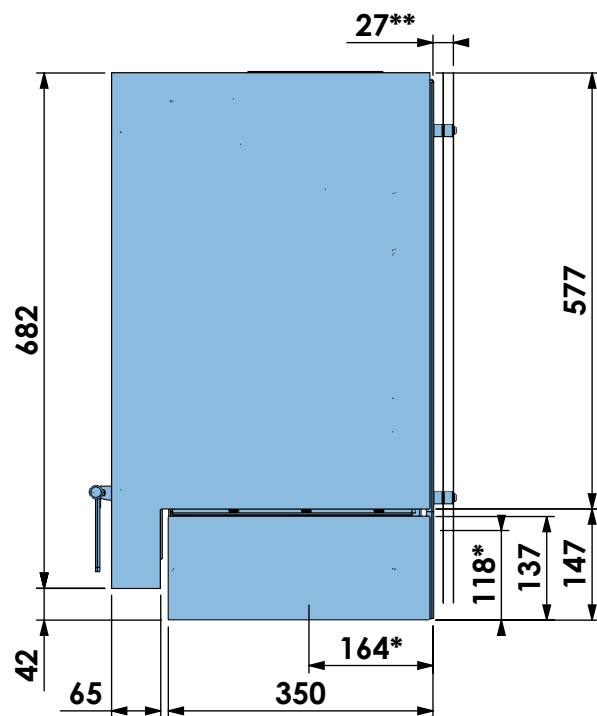
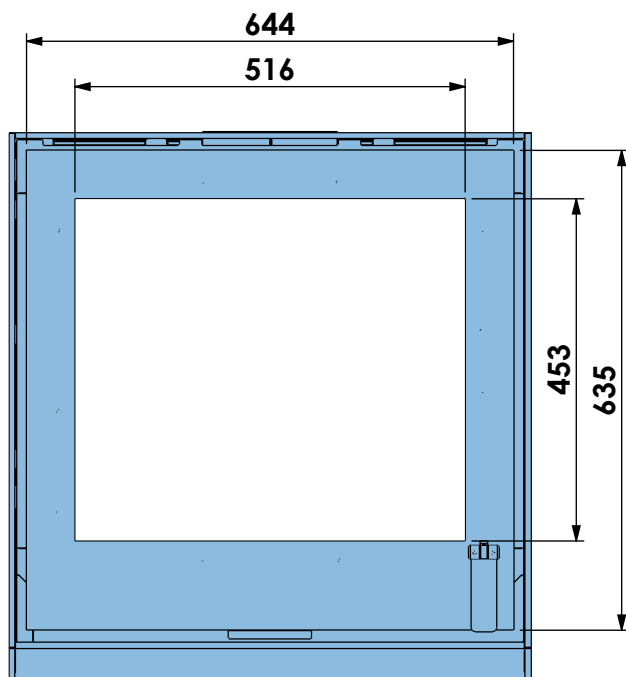
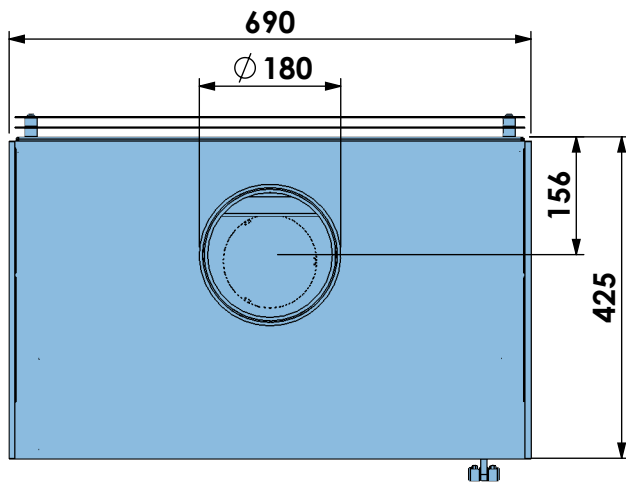
Name: **BOX 25 70 steel door**

Modifications reserved



Scale: 1:10
 Unit: mm

Version: 1



stalen voetstuk
steelbase

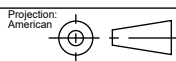
* = optional air inlet Ø125mm
** = optional heat shield

barbas

Barbas Bellfires B.V.
Hallenstraat 17
5531 AB Bladel
The Netherlands
www.barbasbellfires.com

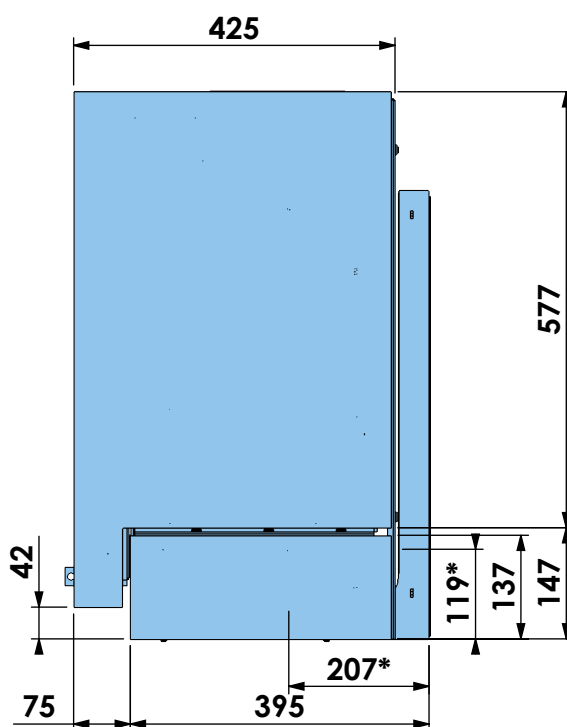
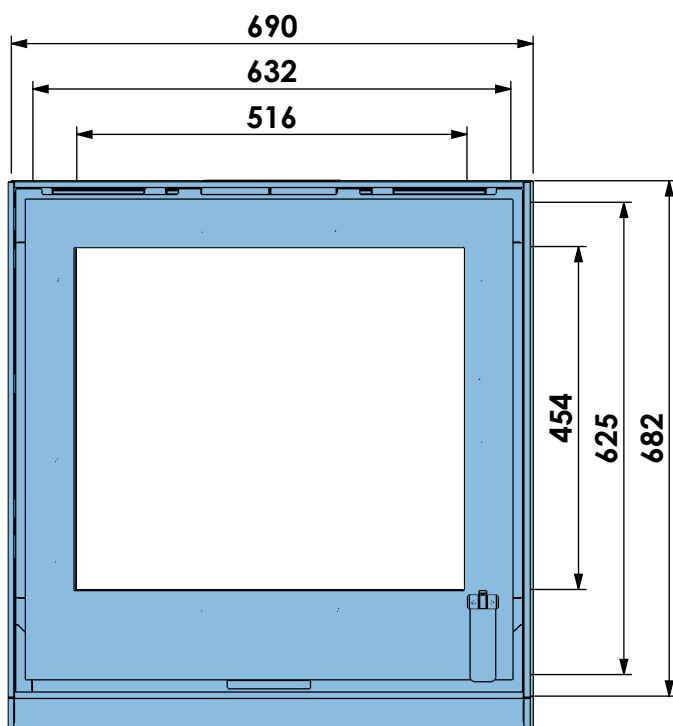
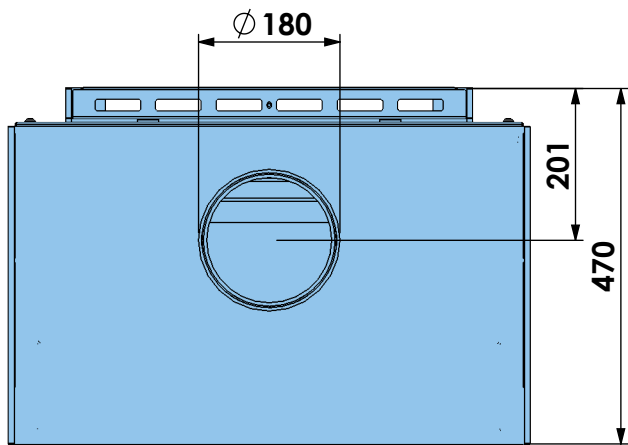
Name: **BOX 25 70 steel door**

Modifications reserved



Scale: 1:10
Unit: mm

Version: 1



hanghaard
 hanging stove
 cheminée suspendue
 Hängekamin

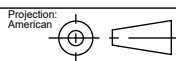
* = optional air inlet Ø80mm

barbas

Barbas Bellfires B.V.
 Hallenstraat 17
 5531 AB Bladel
 The Netherlands
 www.barbasbellfires.com

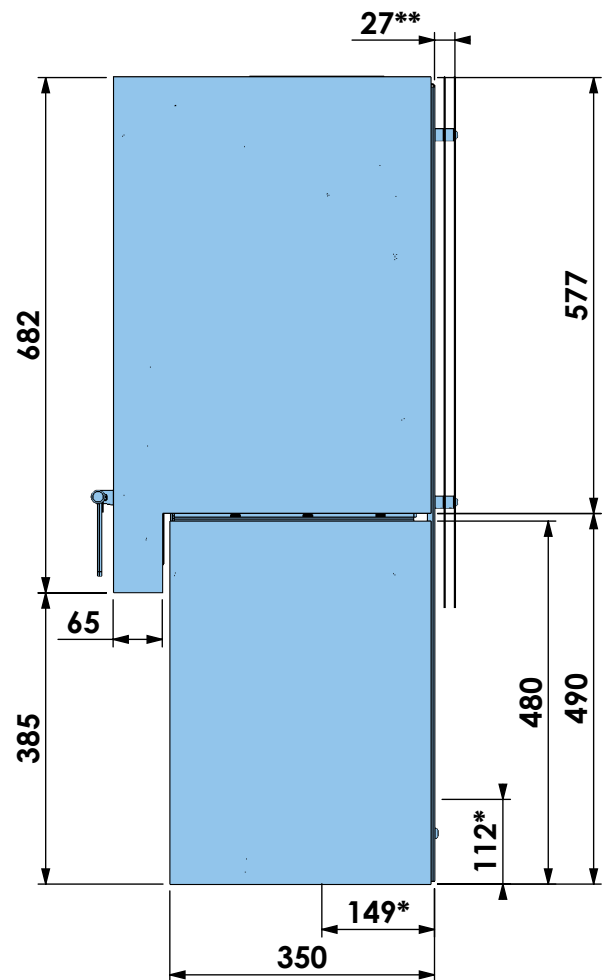
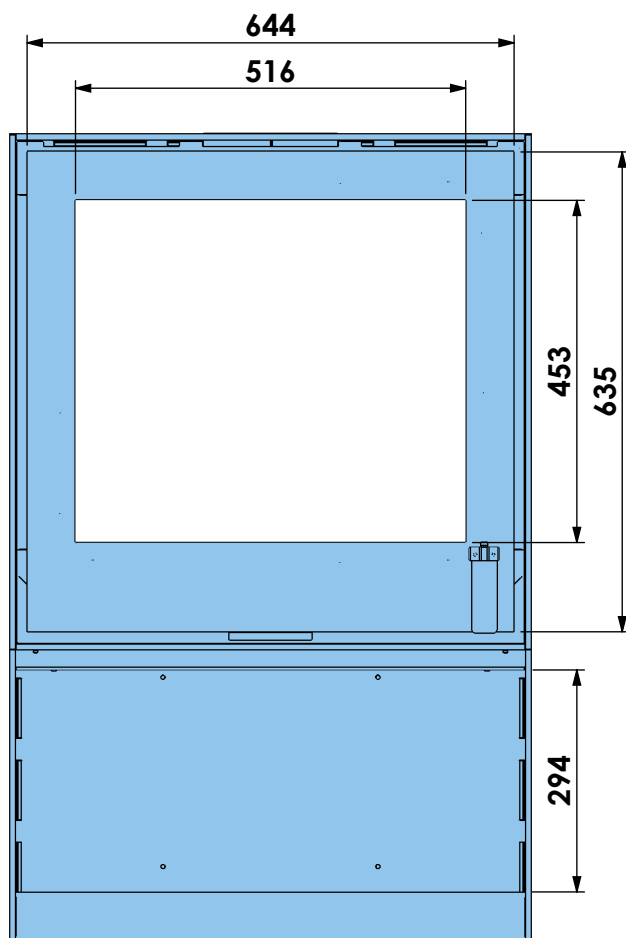
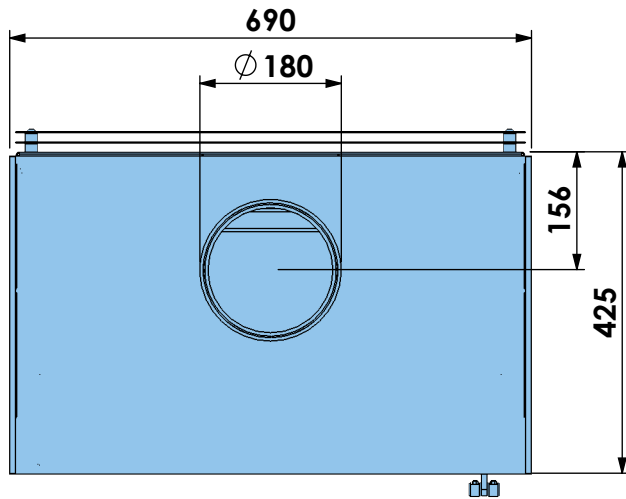
Name: **BOX 25 70 steel door**

Modifications reserved



Scale: 1:10
 Unit: mm

Version: 0



met houtopslag
with log store
avec socle bûcher
mit Holzfach

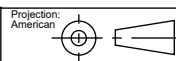
* = optional air inlet Ø125mm
** = optional heat shield

barbas

Barbas Bellfires B.V.
Hallenstraat 17
5531 AB Bladel
The Netherlands
www.barbasbellfires.com

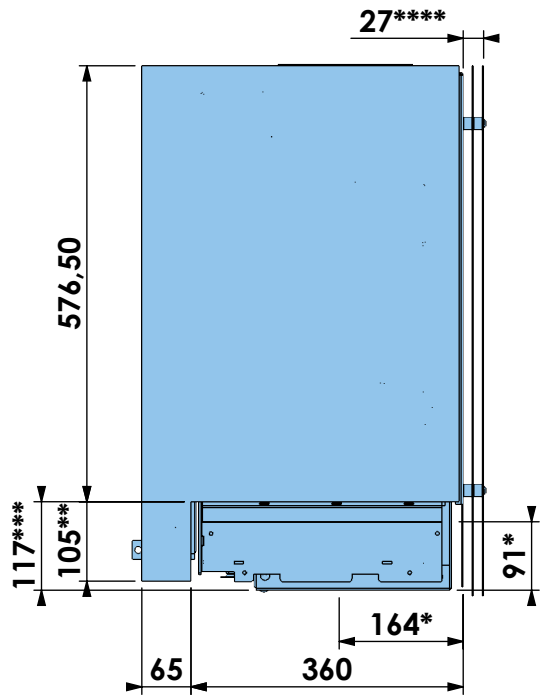
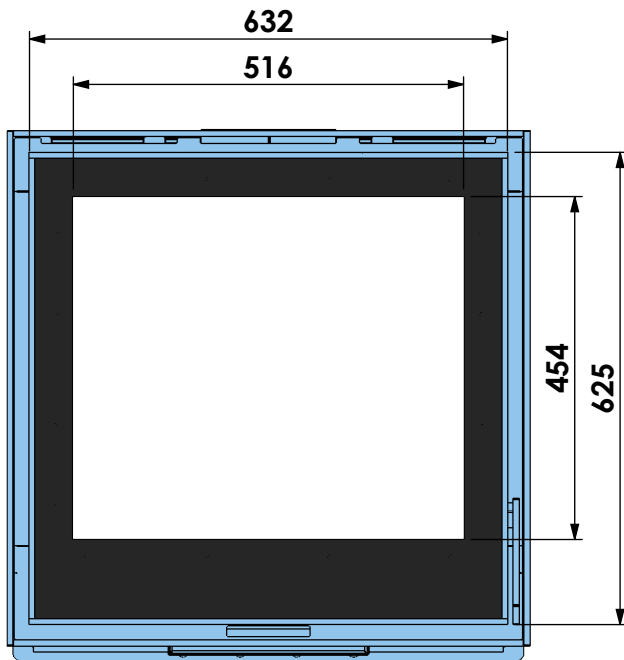
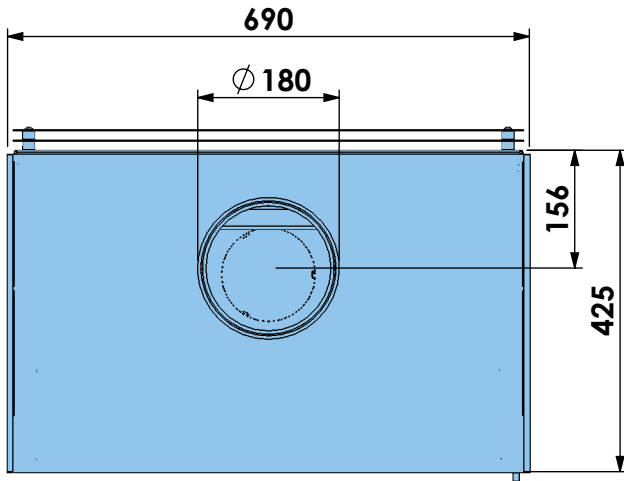
Name: **BOX 25 70 steel door**

Modifications reserved



Scale: 1:10
Unit: mm

Version: 1



zonder voetstuk
 (op maat gemaakt door eindgebruiker)
 without base
 (custom-made by end-user)

* = optional air inlet $\varnothing 125\text{mm}$
 ** = height EXCL optional air inlet
 *** = height INCL optional air inlet
 **** = optional heat shield

barbas

Barbas Bellfires B.V.
 Hallenstraat 17
 5531 AB Bladel
 The Netherlands
 www.barbasbellfires.com

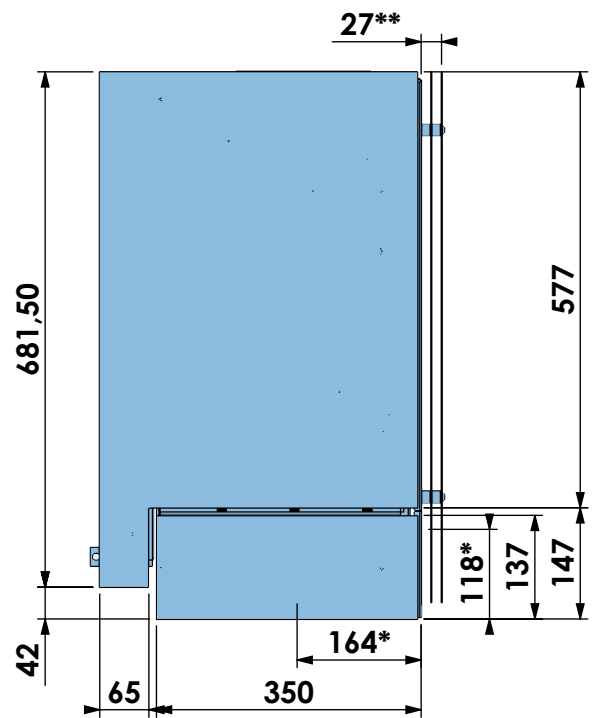
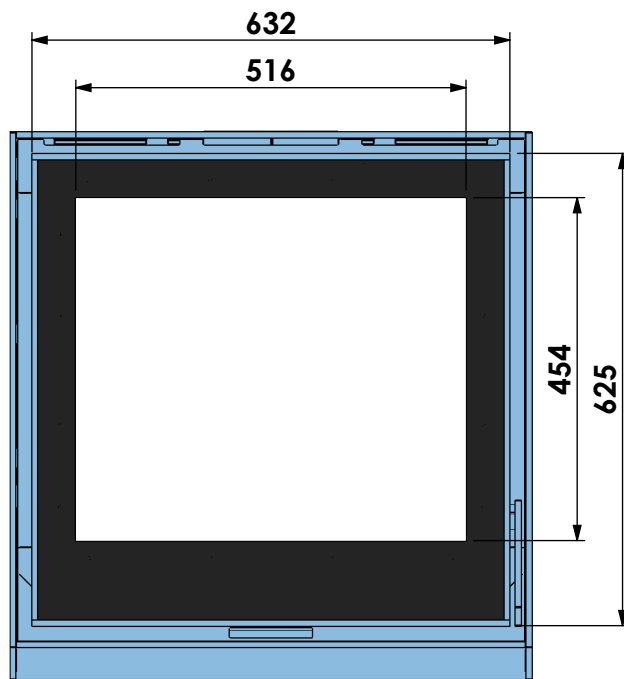
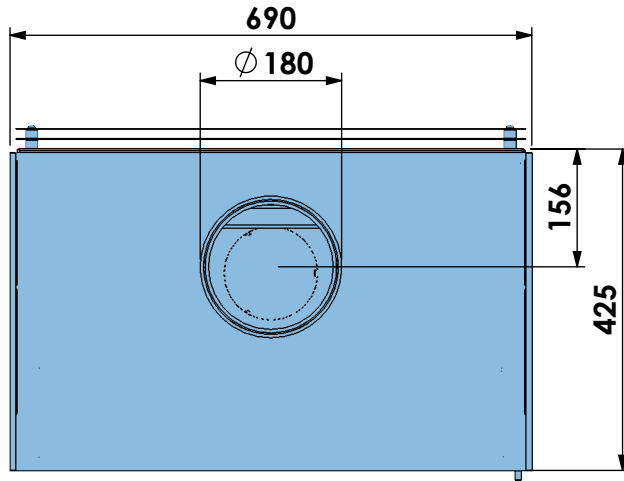
Name: **BOX 25 70 glass door**

Modifications reserved



Scale: 1:10
 Unit: mm

Version: 1



stalen voetstuk
steelbase

* = optional air inlet Ø125mm
** = optional heat shield

barbas

Barbas Bellfires B.V.
Hallenstraat 17
5531 AB Bladel
The Netherlands
www.barbasbellfires.com

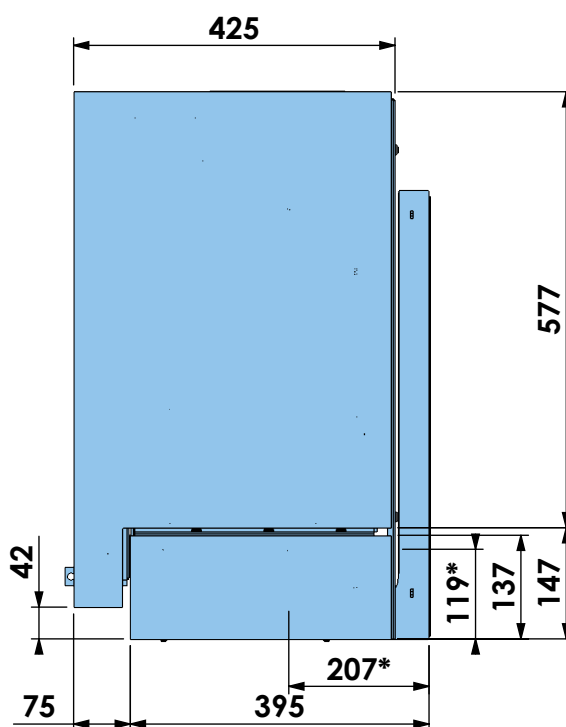
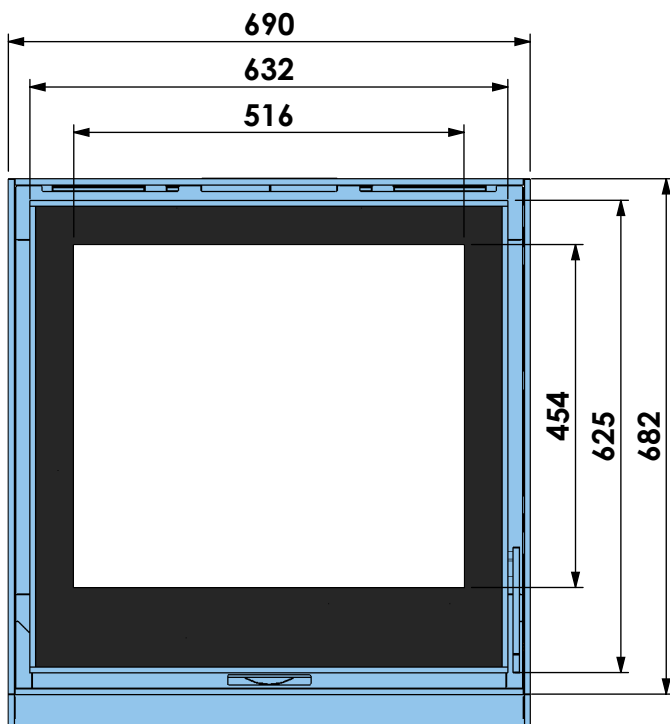
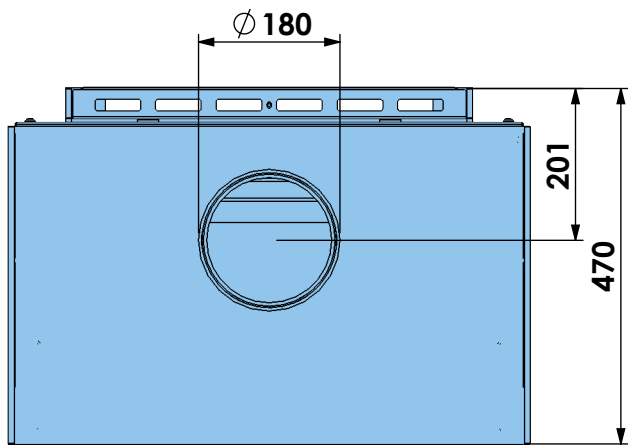
Name: **BOX 25 70 glass door**

Modifications reserved



Scale: 1:10
Unit: mm

Version: 1



hanghaard
 hanging stove
 cheminée suspendue
 Hängekamin

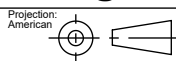
* = optional air inlet Ø80mm

barbas

Barbas Bellfires B.V.
 Hallenstraat 17
 5531 AB Bladel
 The Netherlands
 www.barbasbellfires.com

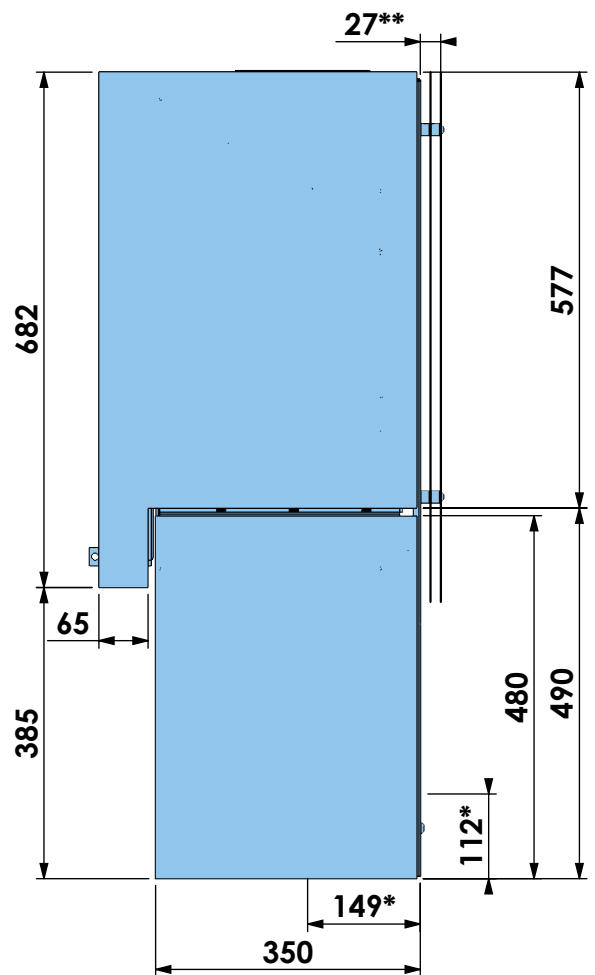
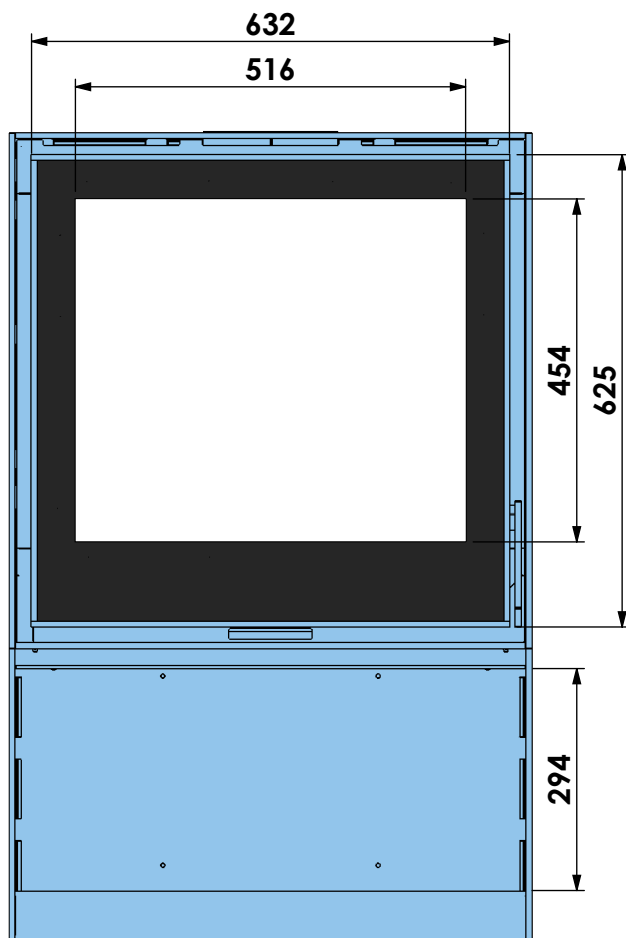
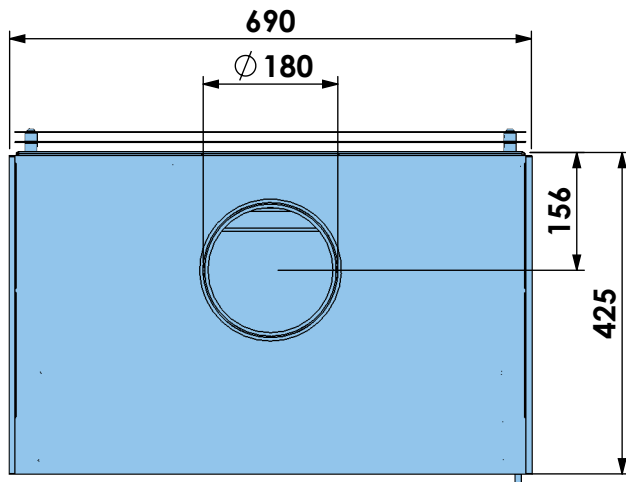
Name: **BOX 25 70 glass door**

Modifications reserved



Scale: 1:10
 Unit: mm

Version: 0



met houtopslag
with log store
avec socle bûcher
mit Holzfach

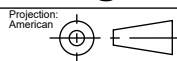
* = optional air inlet Ø125mm
** = optional heat shield

barbas

Barbas Bellfires B.V.
Hallenstraat 17
5531 AB Bladel
The Netherlands
www.barbasbellfires.com

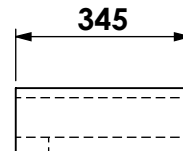
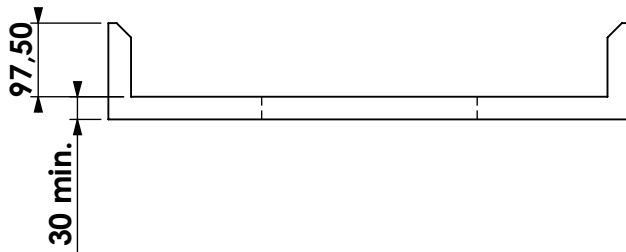
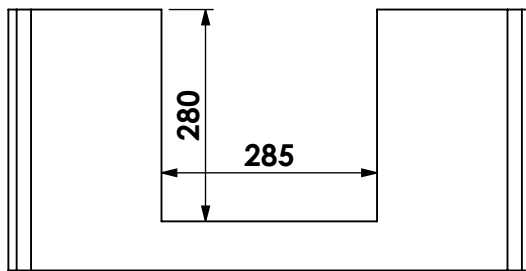
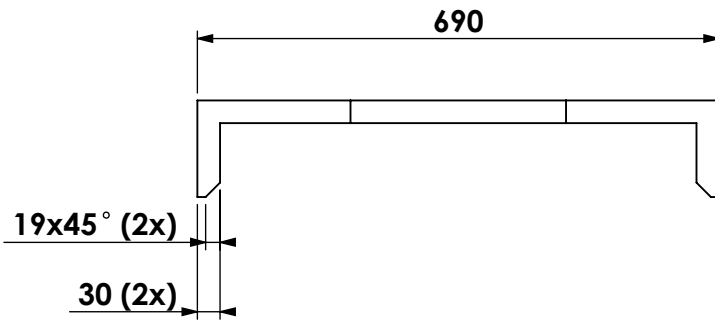
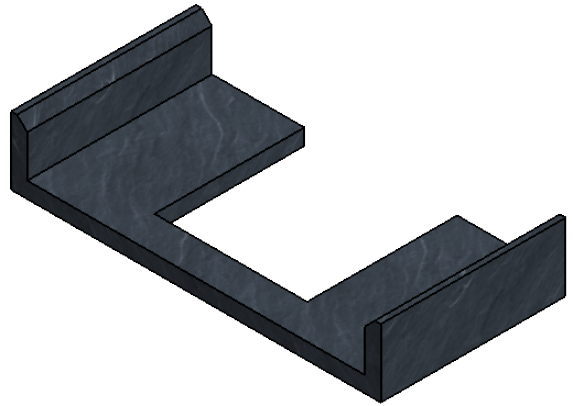
Name: **BOX 25 70 glass door**

Modifications reserved



Scale: 1:10
Unit: mm

Version: 1



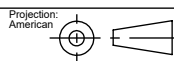
Voorbeeld: voetstuk (op maat gemaakt door eindgebruiker)
 Example: stonebase (custom-made by end-user)

barbas

Barbas Bellfires B.V.
 Hallenstraat 17
 5531 AB Bladel
 The Netherlands
 www.barbasbellfires.com

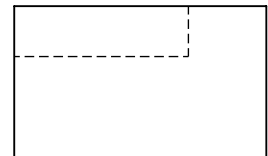
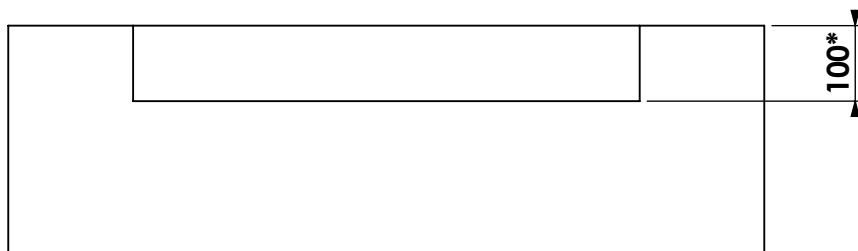
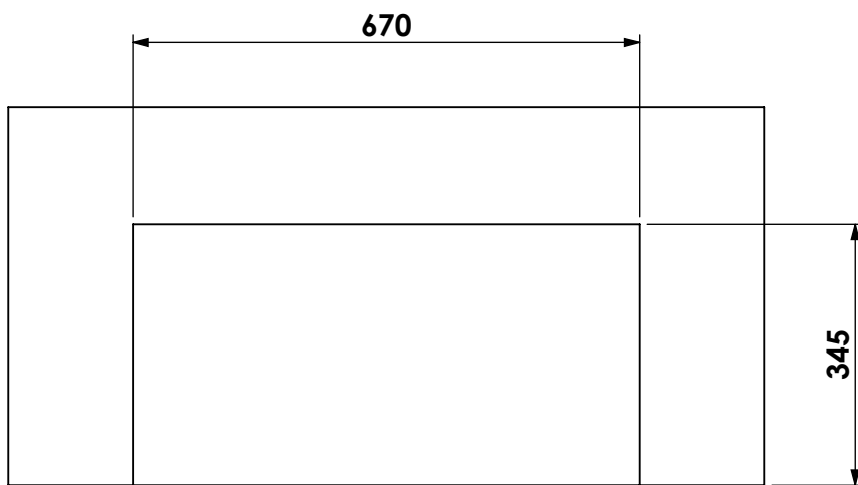
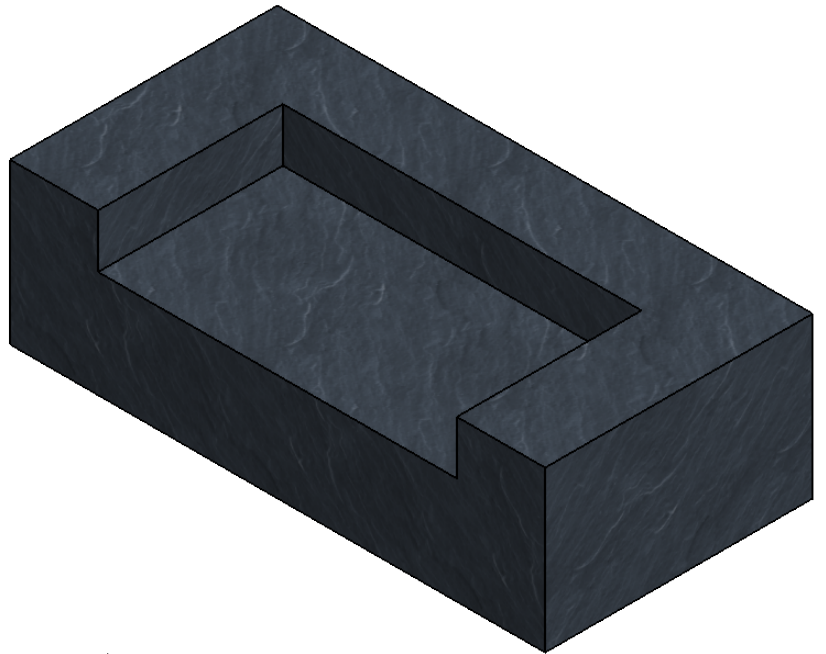
Name: **BOX 25 70**

Modifications reserved



Scale: 1:10
 Unit: mm

Version: 0



Voorbeeld: plateau (op maat gemaakt door eindgebruiker)
 Example: plateau (custom-made by end-user)

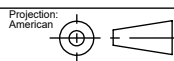
* = minimal depth for air inlet from the front
 Optional bottom air inlet \varnothing 125 mm would require an opening

barbas

Barbas Bellfires B.V.
 Hallenstraat 17
 5531 AB Bladel
 The Netherlands
 www.barbasbellfires.com

Name: **BOX 25 70**

Modifications reserved



Scale: 1:10
 Unit: mm

Version: 0